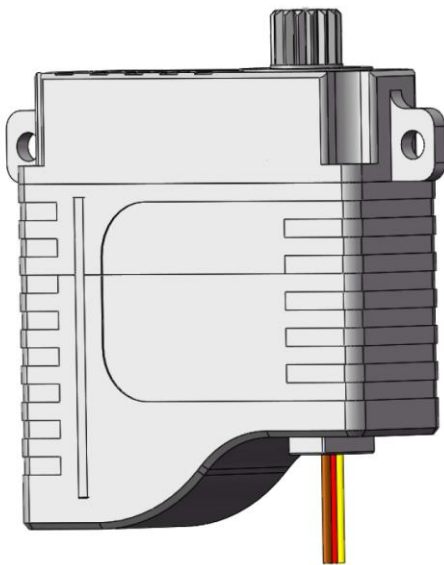


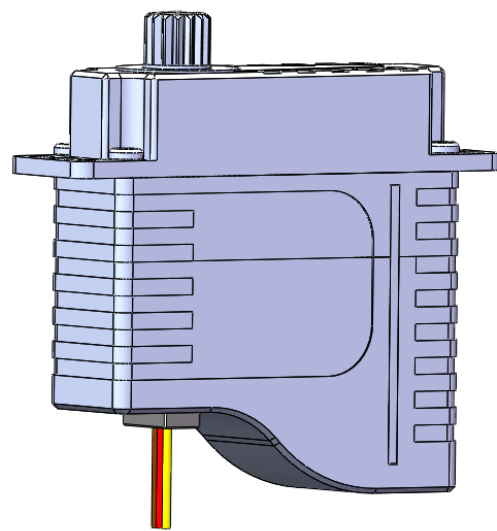
HS08

Technical Specification



Ver A

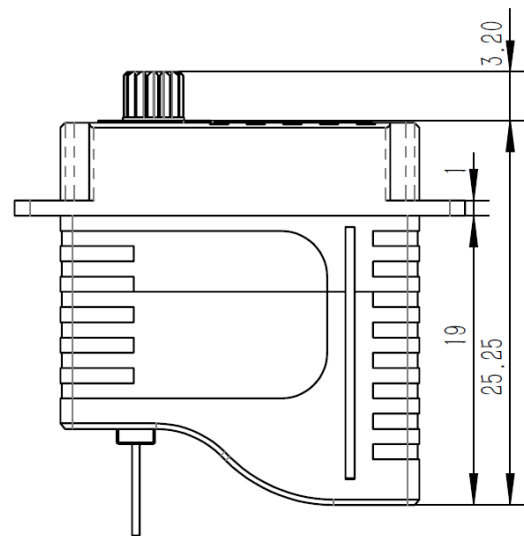
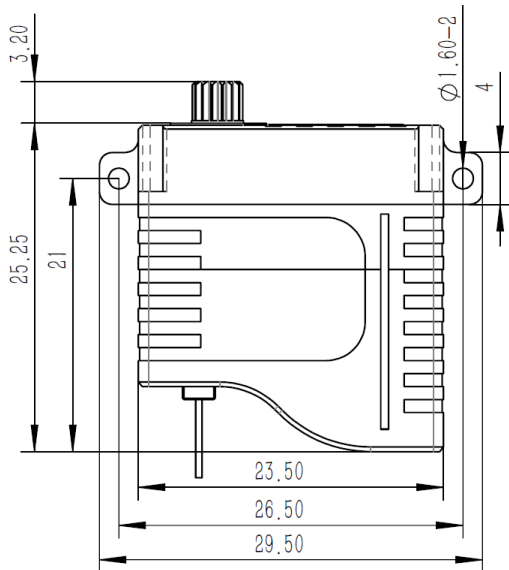
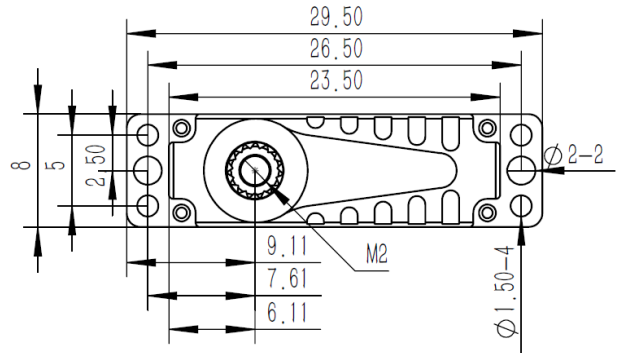
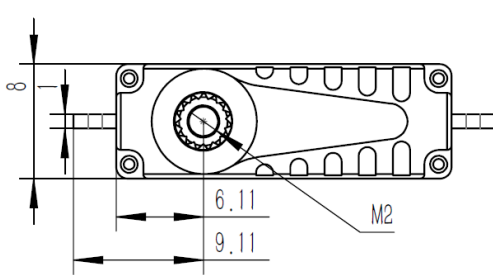
HS08-A



Ver B

HS08-B

1. Installation Dimensions



Ver A

Ver B

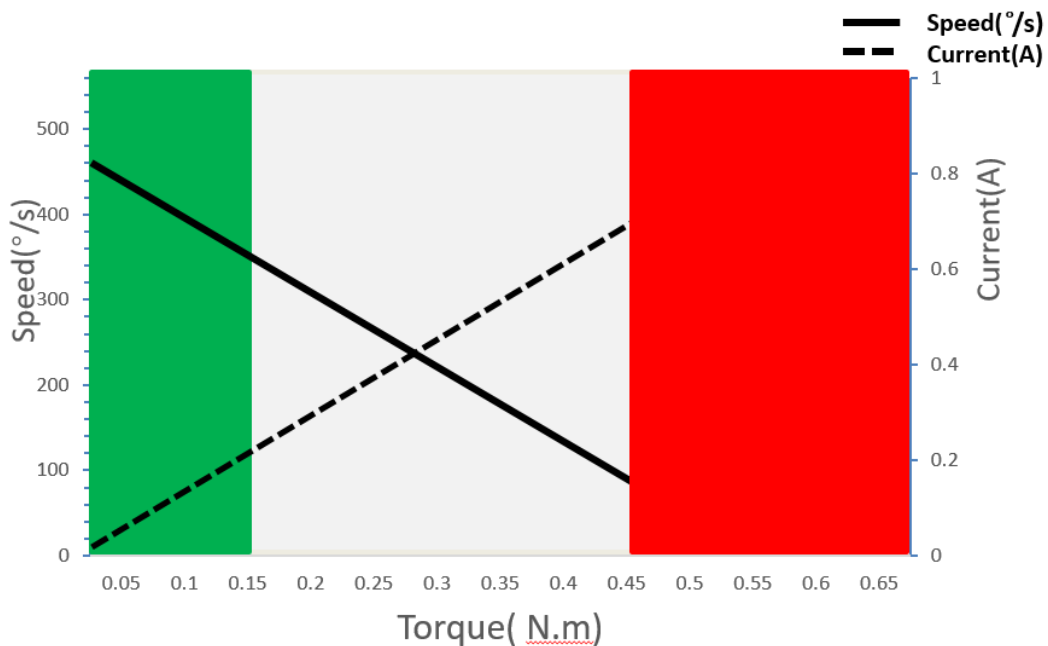
Case Dimensions	23.5mm*8mm*25.25mm
------------------------	--------------------

Weight	11g
--------	-----

2. Operating Data

Rated Voltage	DC3.8V-8.4V
Voltage Range	DC6.0V
Stalling Torque	0.28N.m@3.8V
	0.45N.m@6.0V
	0.52N.m@7.4V
Rated Torque	0.15N.m@6.0V
Stalling Current	0.68A@6.0V
Rated Current	0.25A@6.0V
No-load Speed	0.21sec/60°@3.8V
	0.13sec/60°@6.0V
	0.11sec/60°@7.4V
Rated Speed	0.20sec/60°@6.0V
Default Travel Angle	±60° = 120° total travel
Operating Temperature Range	-20°C.....+65°C

3. Performance @6.0V



Operation Model:

■ Continuous
 ■ Short Time<10s Repeat
 ■ <1s,60s Cool

4. Command Signal

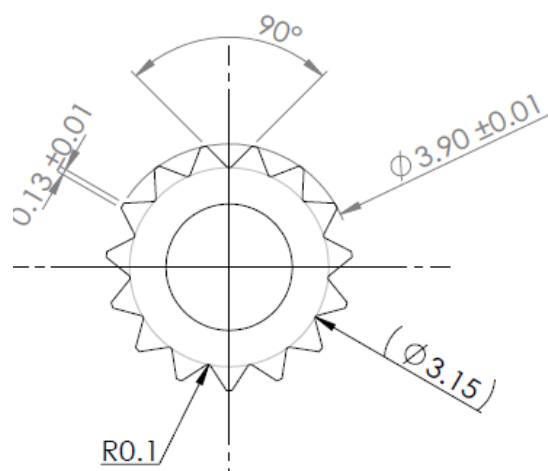
PWM Command Interface

Signal Voltage	TTL-Level: HIGH:min.3.3V,max.5.0V TTL-Level: Low:min.0.0V,max.1.5V
Pulse Lengths	1000us-2000us
Pulse Lengths for Position-60°/0°/+60°	1000us/1500us/2000us

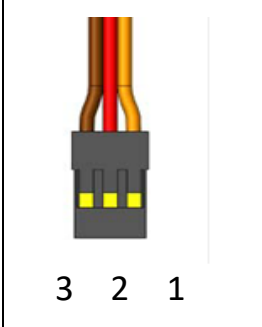
5. Materials and Features

Case Material	Aluminum Alloy 7075
Motor Type	Coreless DC Motor
Gear Set Material	Hardened Steel
Position Sensor	Potentiometer

6. Output Shaft Spline (15T)



7. Electrical Connection

	Pin Assignment			
	1	Yellow	SIG	Command Signal
	2	Red	+V DC	Supply Voltage
	3	Brown	GND	Supply Ground, Signal Ground

8. Accessories

N/A

9. Item Number System

