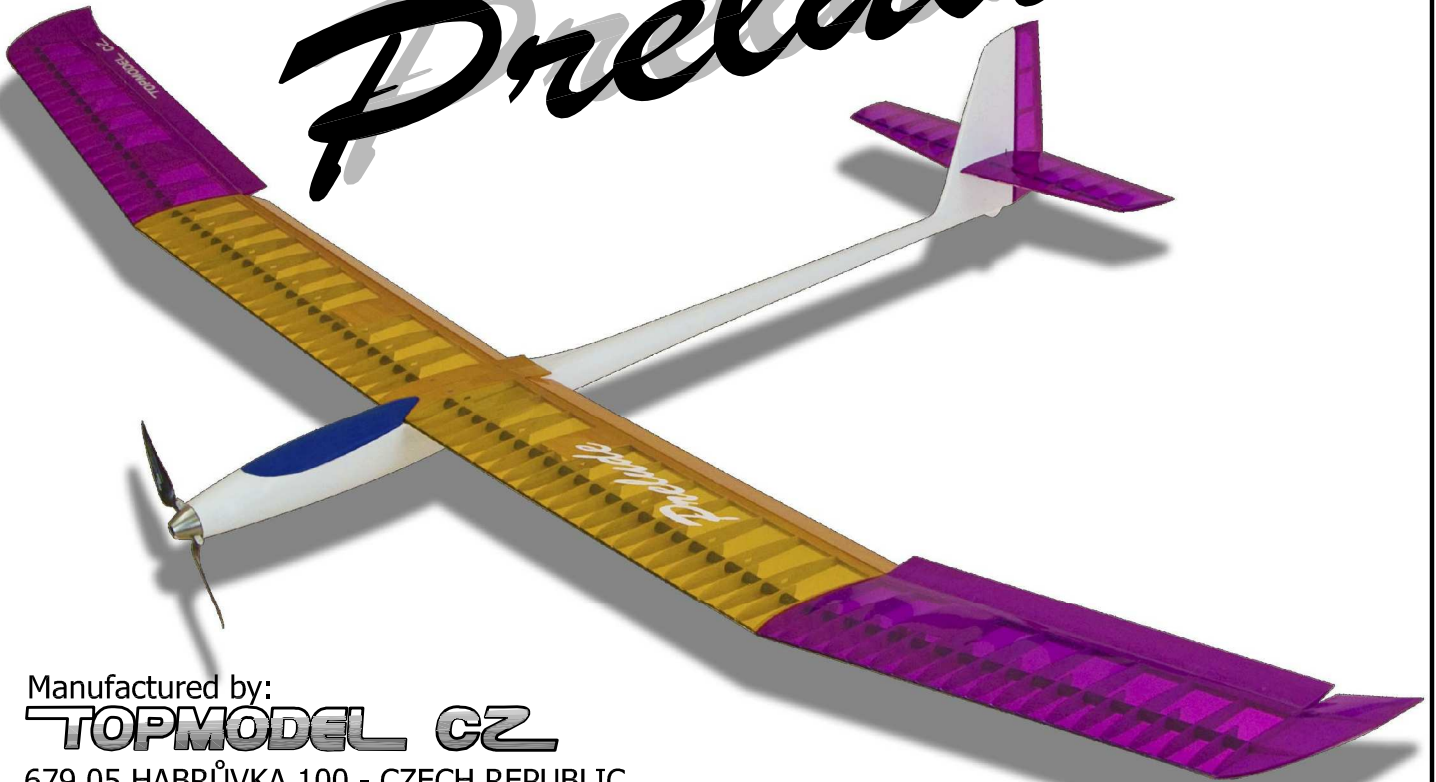


ELECTRO SAILPLANE

Prelude



Manufactured by:

TOPMODEL CZ

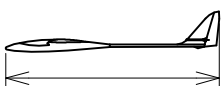
679 05 HABRŮVKA 100 - CZECH REPUBLIC

www.topmodelcz.cz

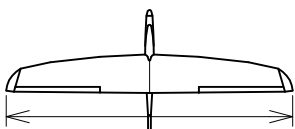
e-mail: info@topmodelcz.cz

Order N°: 02089

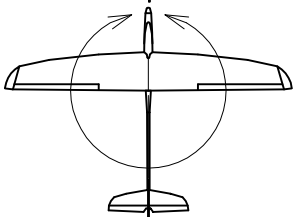
Radio system you'll need :



1340mm



2500mm

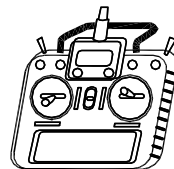


46dm²

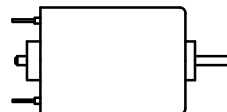
25-30,4g/dm²



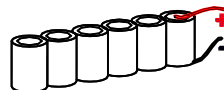
1,15 - 1,4kg



5channel
with
6 servos



MVVS 2,5/1200
XPower XC 3514/12
Axi 2814/12



2S-3S Lixx 2-3Ah



MH 32 mod.

*Není-li uvedeno jinak, všechny
neoznačené míry jsou v milimetrech
UNLES STATED, ALL DIMENSIONS
ARE IN MILIMETERS*

GB - USA Parts list

| Part # | Part name | Material, dimensions | Loose | In bag |
|--------|-----------------------|---|--------------|---------|
| | building instruction | | 01 | - |
| 1 | fuselage | fibreglass | 01 | - |
| 1-1 | engine mount | fibreglass 3 mm | - | 01 |
| 1-2 | servo tray | plywood 4 x 53 x 47 mm | - | 01 |
| 1-3 | link support | balsa 5 x 10 x 50 mm | - | 01 |
| 2 | wing | balsa assembly | 02 | - |
| 2-1 | aileron | balsa | 02 | - |
| 2-11 | flap | balsa | 02 | - |
| 24 | wing joiner | carbon tube Ø 10/8 x 180 mm | - | 01 |
| 2-2 | wing fixing screw | nylon screw M 4 x 30 mm | - | 02 |
| 2-21 | centering pin | fibreglass Ø 3 x 30 mm | - | 01 |
| 2-3 | captive nut | aluminium M4 | - | 02 |
| 2-31 | nut mount | plywood 3 x 23 x 53 mm | - | 01 |
| 2-4 | servo mount | polyurethan | - | 04 + 04 |
| 2-41 | wing servo cover | ABS plastic | - | 04 |
| 2-5 | aileron-flap pushrod | piano wire M2 | - | 04 |
| 2-6 | clevis | MPJ 2110 | - | 04 |
| 2-8 | aileron horn | fibreglass plate 1 mm | - | 02 |
| 2-81 | flap horn | fibreglass plate 1 mm | - | 02 |
| 3 | horizontal stabilazer | balsa assembly | 02 | - |
| 3-21 | centering pin | piano wire Ø 2 x 70 mm | - | 01 |
| 3-3 | elevator joiner | fibreglass Ø 3 x 150 mm | - | 01 |
| 3-5 | elevator link | balsa Ø 10 x 610 mm | 01 | - |
| 3-5N | thread | 1,5 m | - | 01 |
| 3-5S | elevator link | piano wire Ø 1,8 x 150 mm | - | 01 |
| 3-6 | clevis | MPJ 2110 | - | 02 |
| 3-8 | elevator horn | plastic | - | 01 |
| 4 | fin | balsa assembly | 01 | - |
| 4-3 | closing strip | balsa 5 mm | - | 01 |
| 4-5 | rudder link | external bowden L= 730 mm, internal bowden L=800mm, piano wire Ø0,8 mm L= 800mm | 01+01+ 01 | - |
| 4-6 | clevis | MPJ 2110 | - | 02 |
| 4-7 | threaded coupler | MPJ 2012 | | |
| 4-8 | rudder horn | fibreglass plate 1,5 mm | - | 01 |
| 6 | canopy | fibreglass | 01 | - |
| 6-2 | canopy fixing | fibreglass Ø2 x 180 mm | - | 01 |
| 6-21 | mount | plywood 1 x 6 x 12 mm | - | 02 |
| 7 | stickers | | 01 | |
| 11 | pinned hinge | MPJ 2502 | - | 01 |

RECOMMENDED EQUIPMENT:

| | | Pieces | | Item No. www.topmodelcz.cz |
|-------------|---|--------|-------------------|---|
| Transmitter | 5 channel | | | |
| Receiver | 7 channel | | | |
| Servo | PS1616 | 2 | ailerons | 0201616 |
| | HS-82 MG | 2 | flaps | 1HI7297 |
| | MS2414 | 2 | elevator & rudder | 0202414 |
| Motor | MVVS 2,5/1120 | 1 | | #2015 |
| Controller | SPIN 33 | 1 | | SPIN 33 |
| Spinner | turbo 40/4/8 | 1 | | 0201558 |
| Propeller | CAM CARBON 10/7" | 1 | | 723431 |
| Battery | Hyperion G3 CX - 3S 2100mAh | 1 | | HP-LG325-2100-3S |

ATTENTION:

This model construction kit is not a toy and is not suitable for children under the age of 14. Incorrect use of this material could cause material damage or person injury. You are fully responsible for your actions when you use this model.

Fly at a safe distance from occupied zones. Be sure that no one else is using the same frequency as you.

Before first take-off check up please if model aeroplane parts aren't crooked. The reparation is possible through the use of hot-air dryer.

CZ Seznam dílů

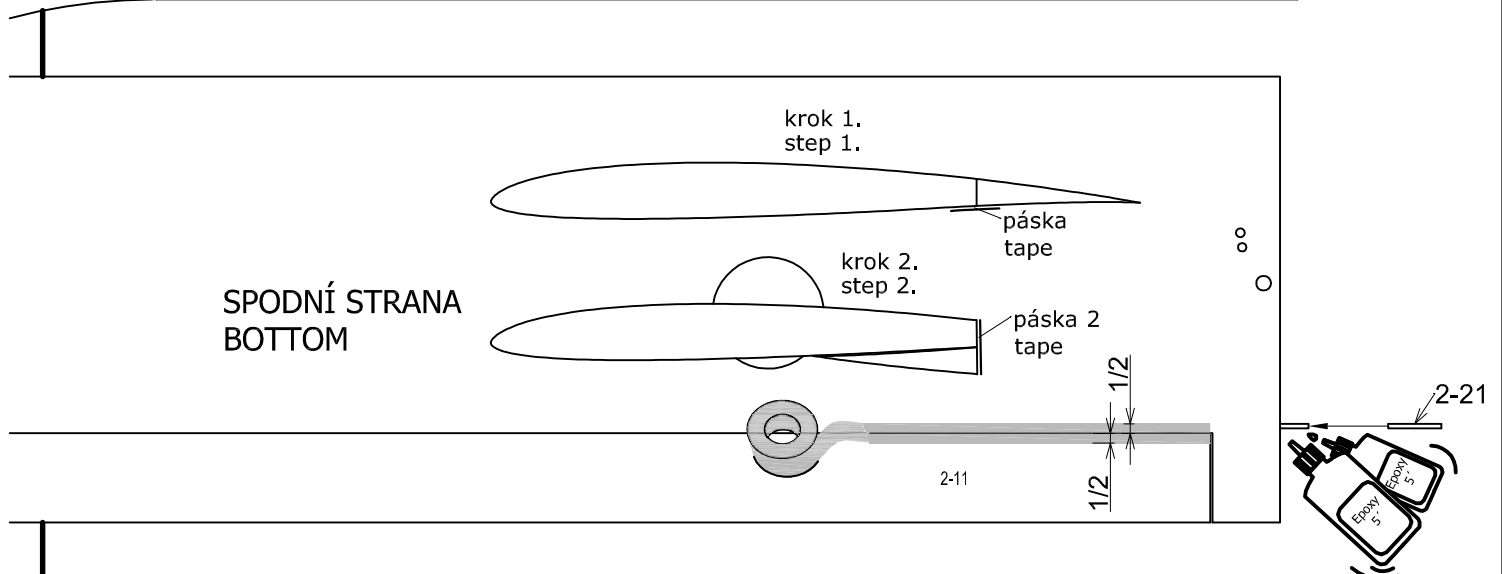
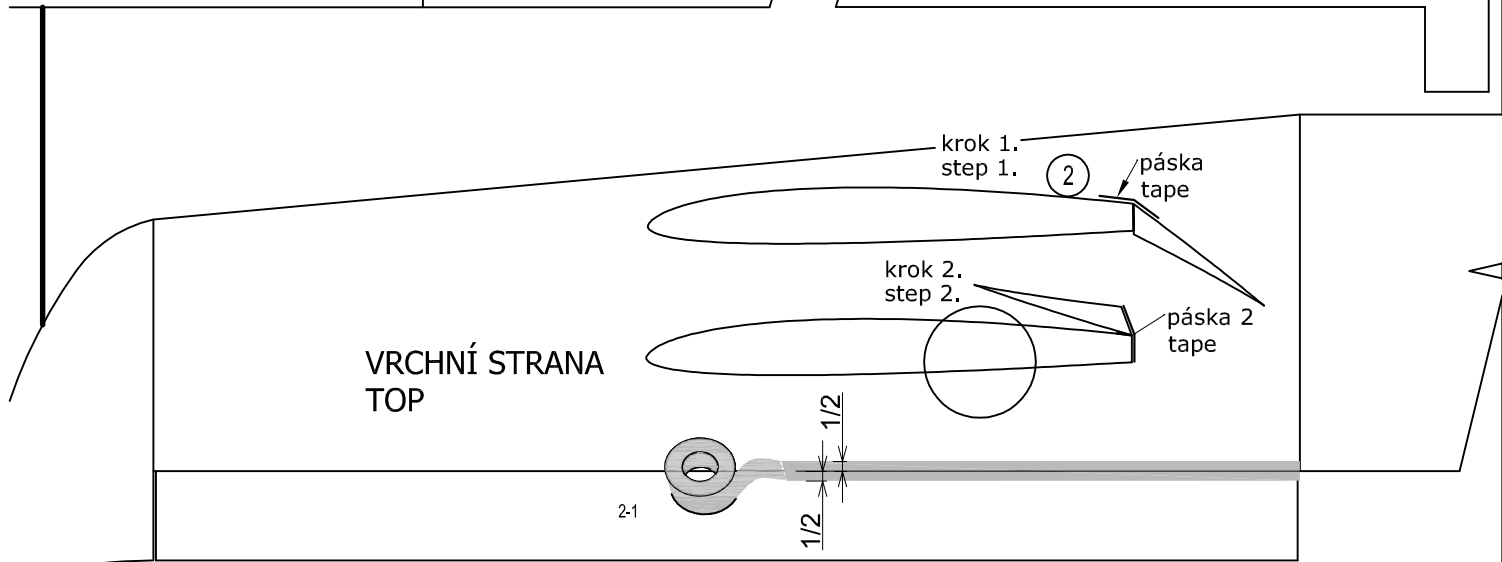
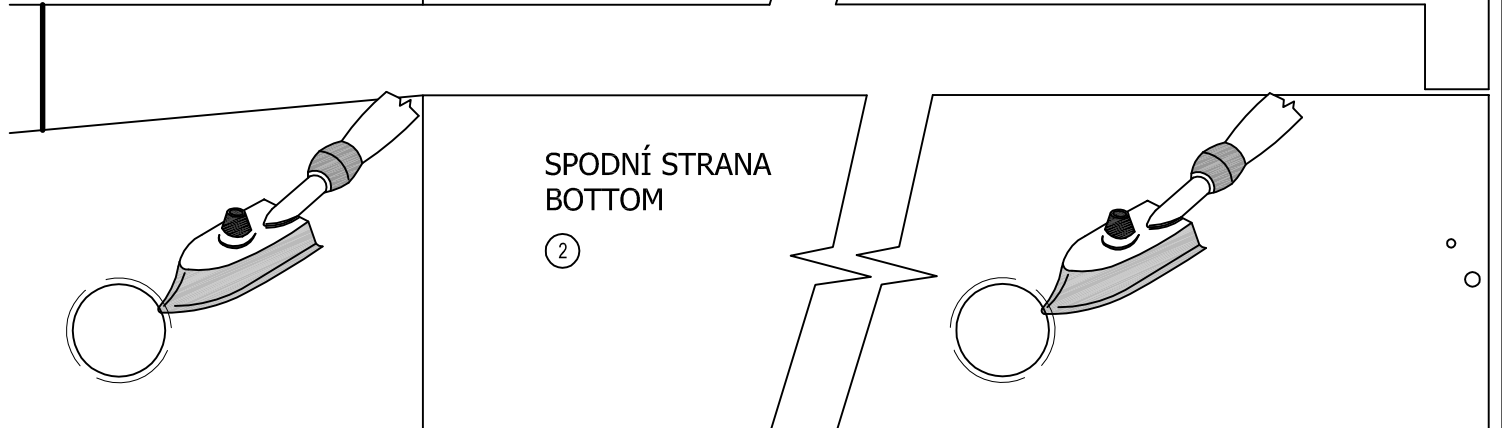
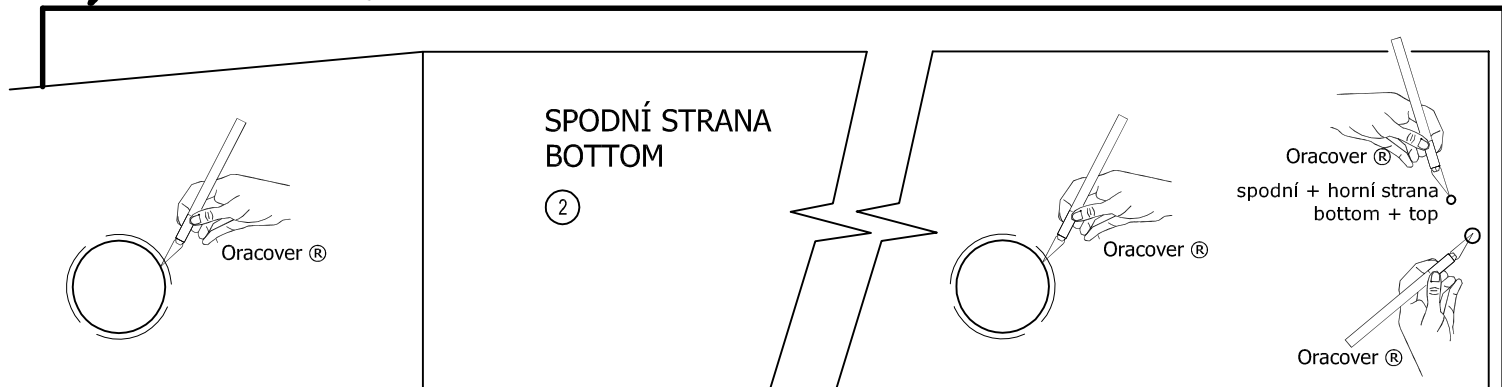
| Položka | Název dílu | Materiál, rozměr | Volně / ks | Balíček/ ks |
|---------|----------------------------|---|------------|-------------|
| | montážní návod | | 01 | - |
| 1 | trup | laminát | 01 | - |
| 1-1 | motorová přepážka | sklotextit 3 mm | - | 01 |
| 1-2 | držák serva ocasních ploch | překližka 4 x 53 x 47 mm | - | 01 |
| 2 | křídlo | balsa konstrukční | 02 | - |
| 2-1 | křídélko | balsa | 02 | - |
| 2-11 | vztlaková klapka | balsa | 02 | - |
| 24 | spojka křídla | uhlík Ø 10/8 x 180 mm | - | 01 |
| 2-2 | uchycení křídla | šroub M 4 x 30 mm | - | 02 |
| 2-21 | aretační kolík | laminát Ø 3 x 30 mm | - | 01 |
| 2-3 | uchycení křídla | matice AL. M4 | - | 02 |
| 2-31 | podložka matice | překližka 3 x 23 x 53 | - | 01 |
| 2-4 | držák serva | polyuretan 13mm; 11mm | - | 04 + 04 |
| 2-41 | krytka serva | ABS folie | - | 04 |
| 2-5 | táhlo křídélka a klapky | ocel | - | 04 |
| 2-6 | koncovka táhla | MPJ 2110 | - | 04 |
| 2-8 | páka křídélka | sklotextit 1 mm | - | 02 |
| 2-81 | páka klapky | sklotextit 1 mm | - | 02 |
| 3 | výškovka | balsa konstrukční | 02 | - |
| 3-21 | aretační kolík | ocel Ø2mm L = 70mm | - | 01 |
| 3-3 | spojka VOP | laminát Ø3mm L = 150mm | - | 01 |
| 3-5 | táhlo VOP | balsa 10x10, L = 610mm | 01 | - |
| 3-5N | nit | 1,5 m | - | 01 |
| 3-5S | táhlo VOP | ocel Ø2mm L = 140mm | - | 02 |
| 3-6 | koncovka táhla | MPJ 2110 | - | 02 |
| 3-8 | páka | plast | - | 01 |
| 4 | směrovka | balsa konstrukční | 01 | - |
| 4-3 | steven | b 5 | - | 01 |
| 4-5 | táhlo směrovky | bowden Ø3mm L = 730mm bowden Ø2mm L = 800 ocel. drát Ø0,8mm L = 800mm | 01+01+01 | |
| 4-6 | koncovka táhla | MPJ 2110 | - | 02 |
| 4-7 | spojka táhla | MPJ 2012 | - | 02 |
| 4-8 | páka směrovky | sklotextit 1,5 mm | - | 01 |
| 6 | kabina | laminát | 01 | - |
| 6-2 | uchycení kabiny | laminát Ø2 x 180 mm | - | 01 |
| 6-21 | podložka | př. 1 x 6 x 12 | - | 02 |
| 7 | obtisky | | 01 | |
| 11 | závěsy kormidel | MPJ 2502 | - | 02 |

DOPORUČENÉ PŘÍSLUŠENSTVÍ :

| | | kusů | | objednáací číslo www.topmodelcz.cz |
|-------------|---|------|---------------------|--|
| vysílač | 5 kanál | | | |
| přijímač | 7 kanál | | | |
| servo | PS1616 | 2 | křídélka | 0201616 |
| | HS-82 MG | 2 | vztlakové klapky | 1HI3040 |
| | MS2414 | 2 | směrovka a výškovka | 0202414 |
| motor | MVVS 2,5/1120 | 1 | | #2015 |
| regulátor | SPIN 33 | 1 | | SPIN 33 |
| kužel | TURBO 40/4,0/8 | 1 | | 0201558 |
| vertule | CAM CARBON 10/7" | 1 | | 723431 |
| akumulátory | Hyperion G3 CX - 3S 2100n | 1 | | HP-LG325-2100-3S |

Před prvním startem zkontrolujte jestli nejsou díly modelu zkroucené. Náprava je možná pomocí horkovzdušné pistole .

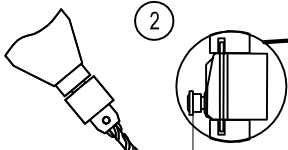
Prelude



Prelude

SPODNÍ STRANA
BOTTOM

Ø1 pro 2-8
Ø1 for 2-8

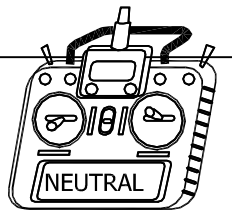
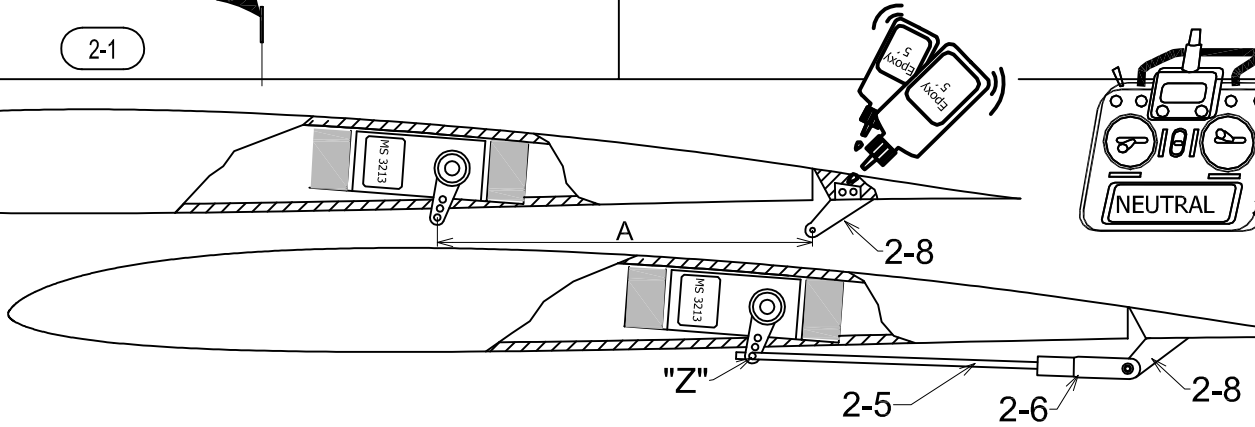
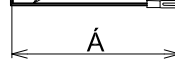


2-1

"Z"

2-5

!!! A=Á !!!



2-5

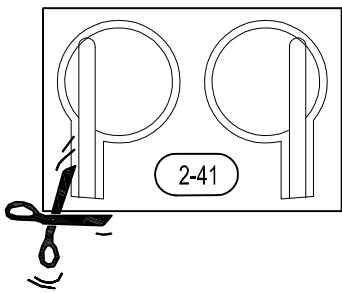
2-6

2-8

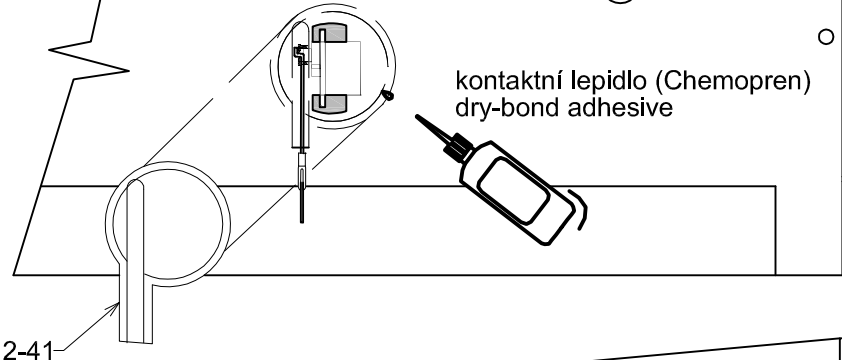
SPODNÍ STRANA
BOTTOM

2

kontaktní lepidlo (Chemopren)
dry-bond adhesive



2-41

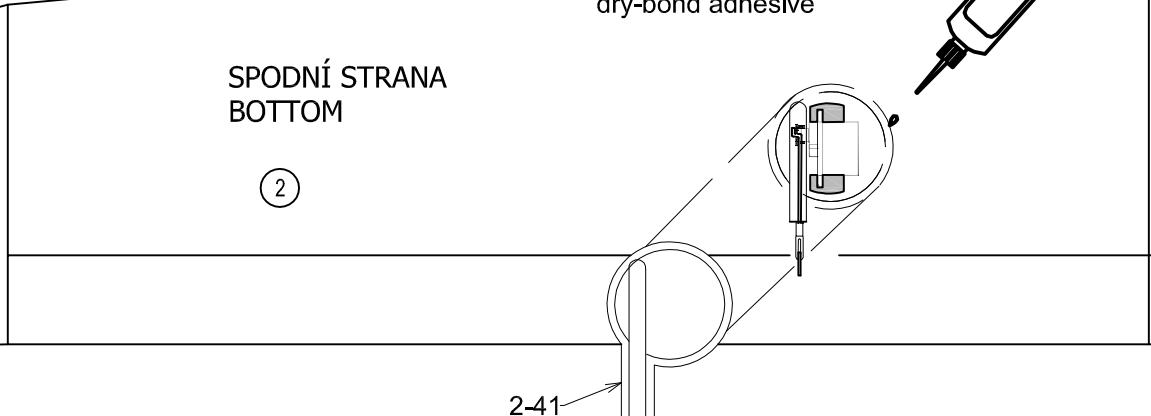


2-41

kontaktní lepidlo (Chemopren)
dry-bond adhesive

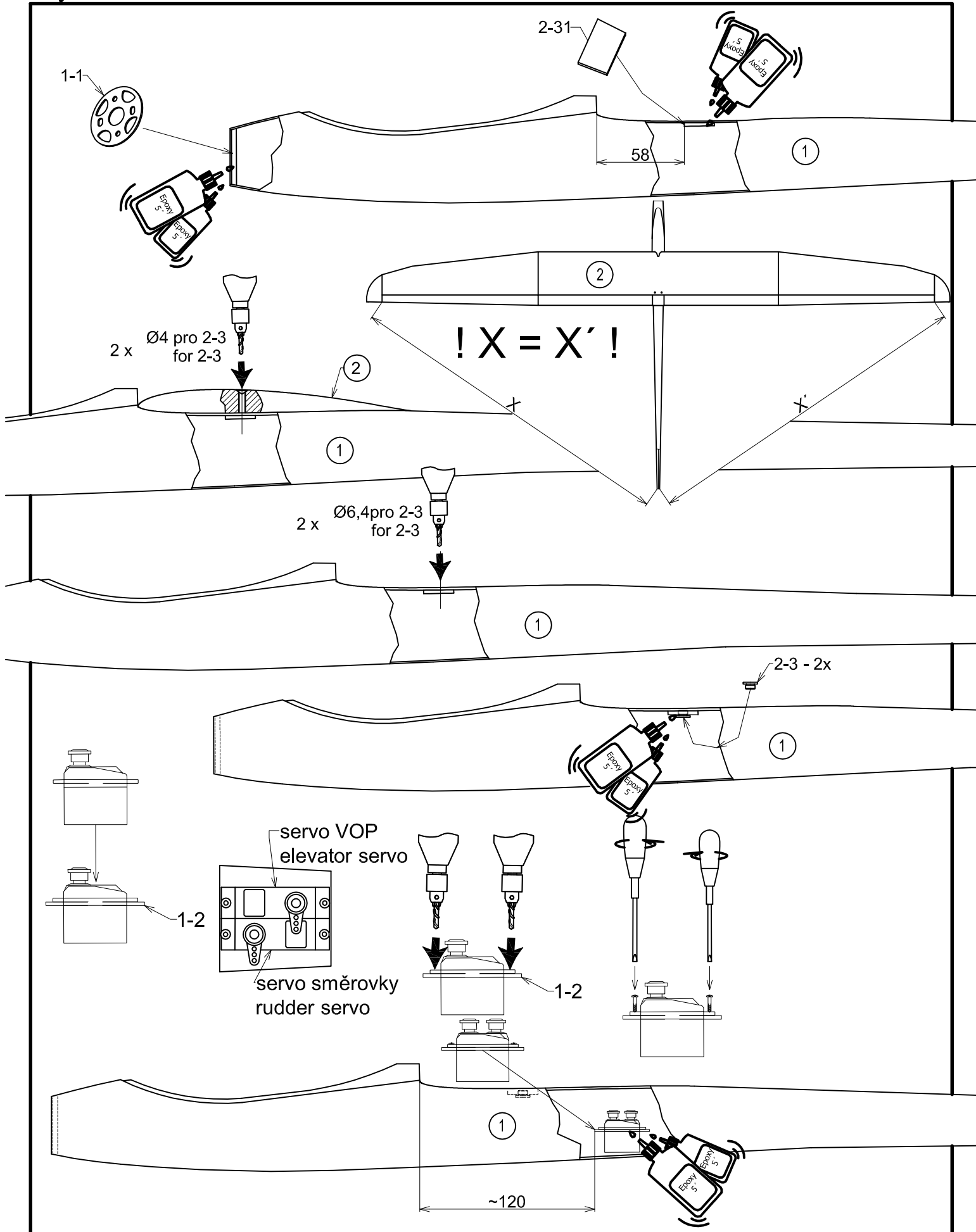
SPODNÍ STRANA
BOTTOM

2

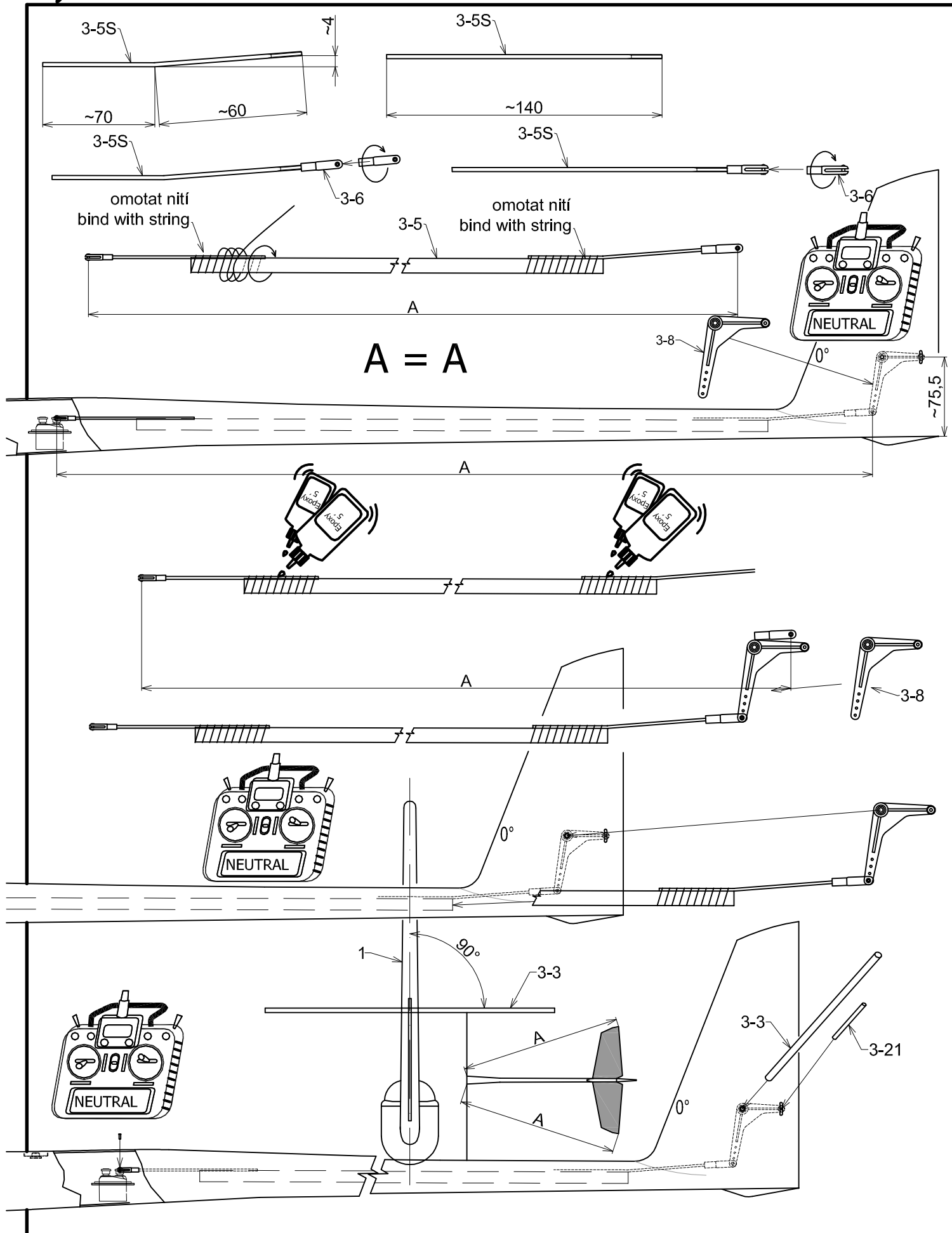


2-41

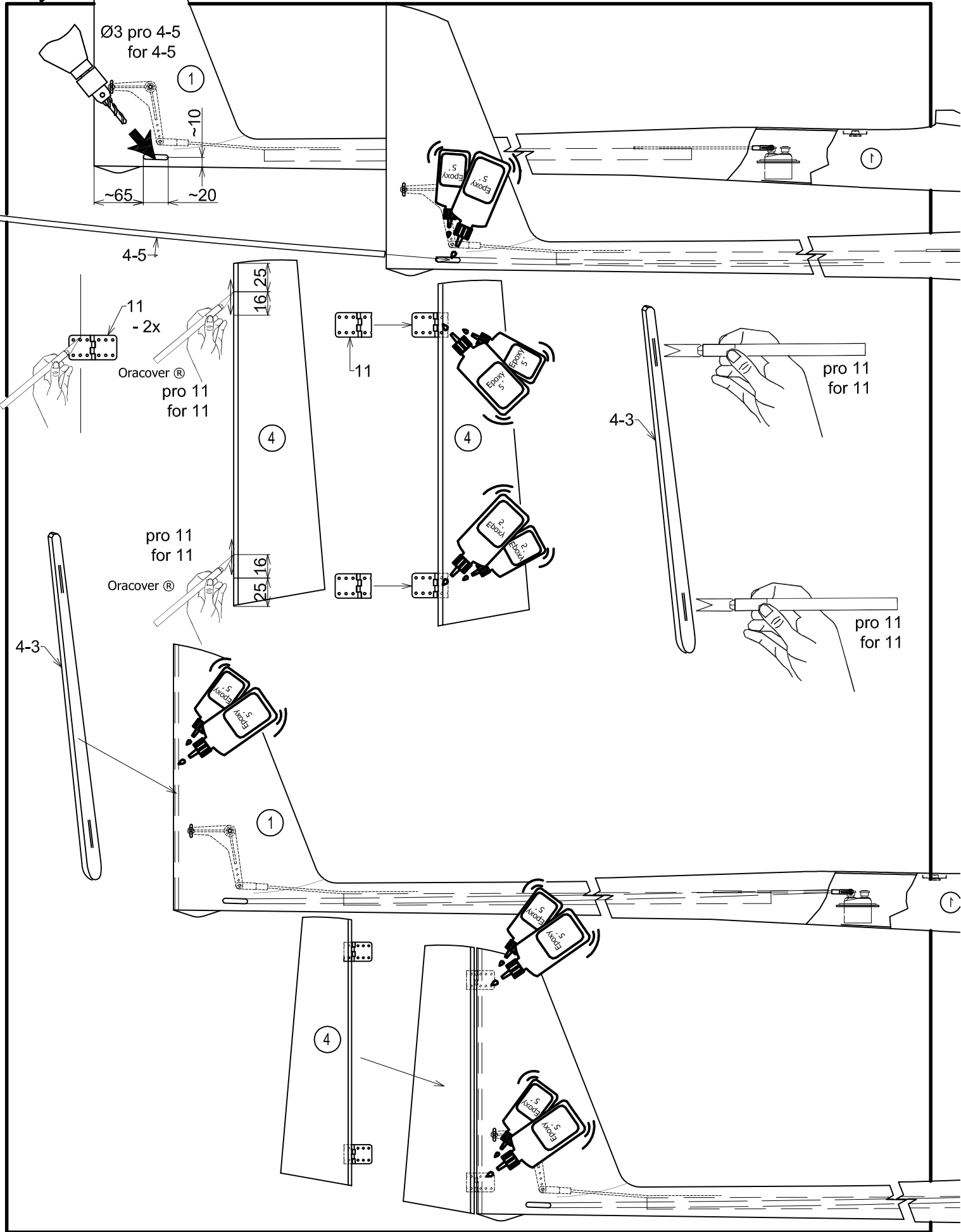
Prelude



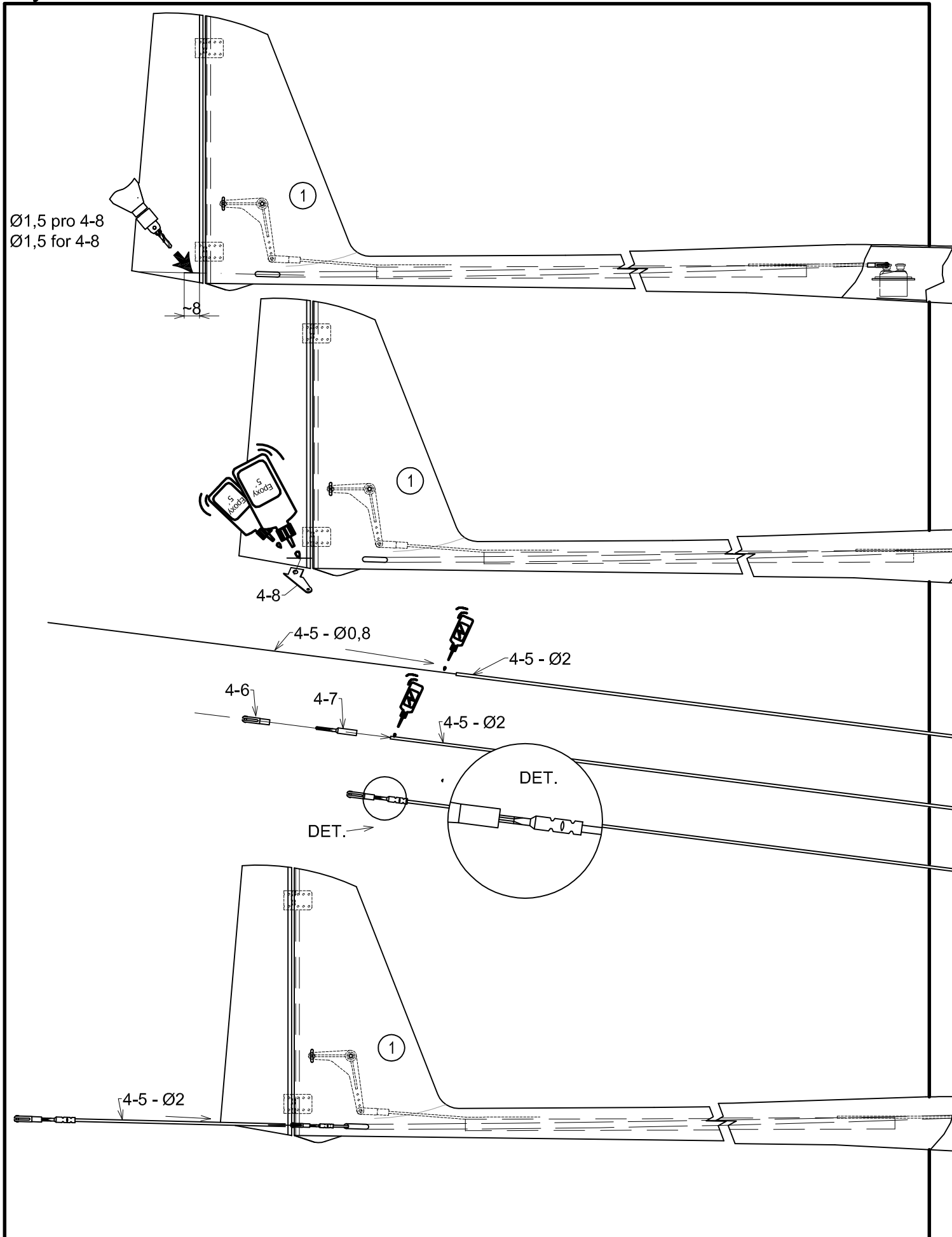
Prelude



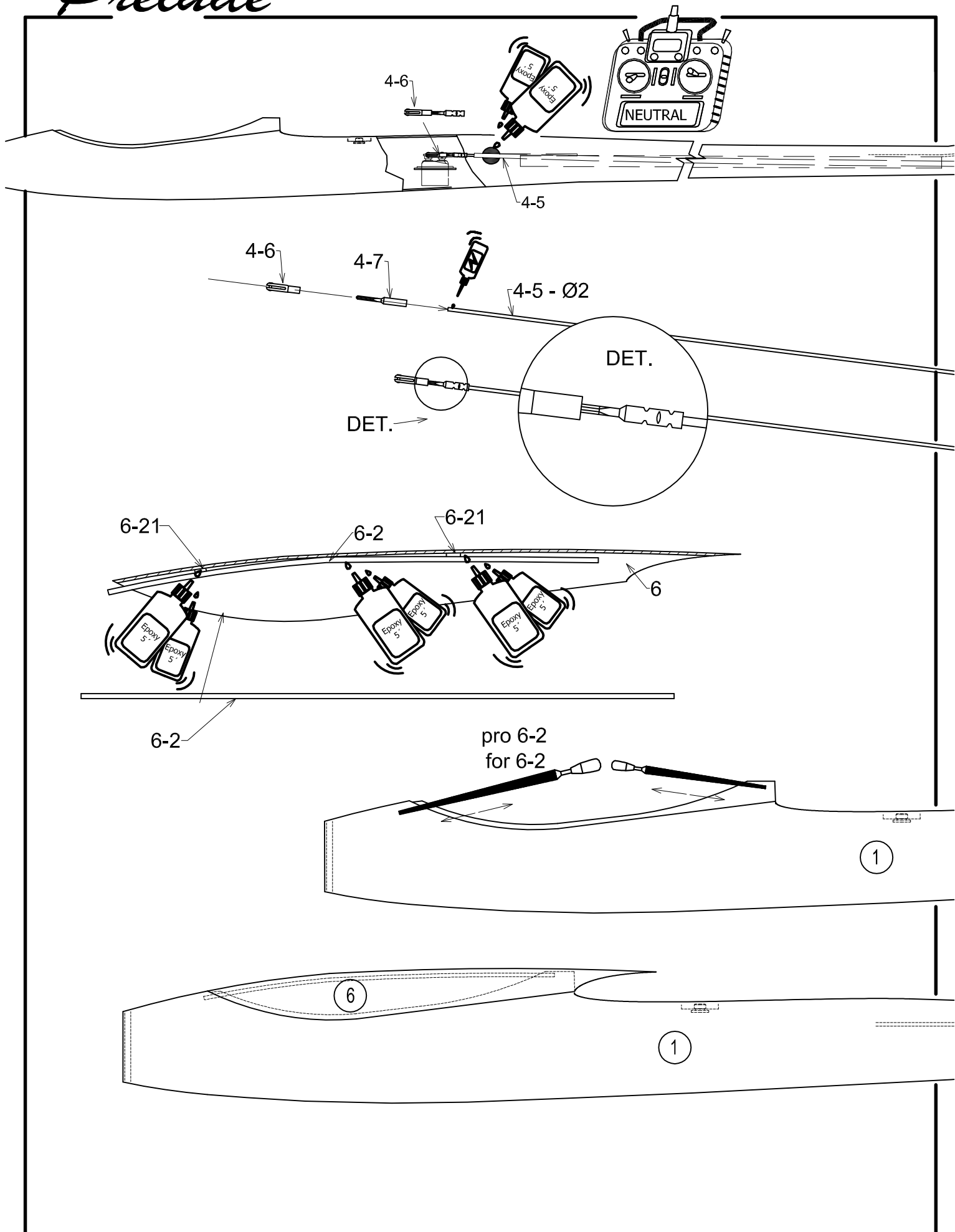
Prelude



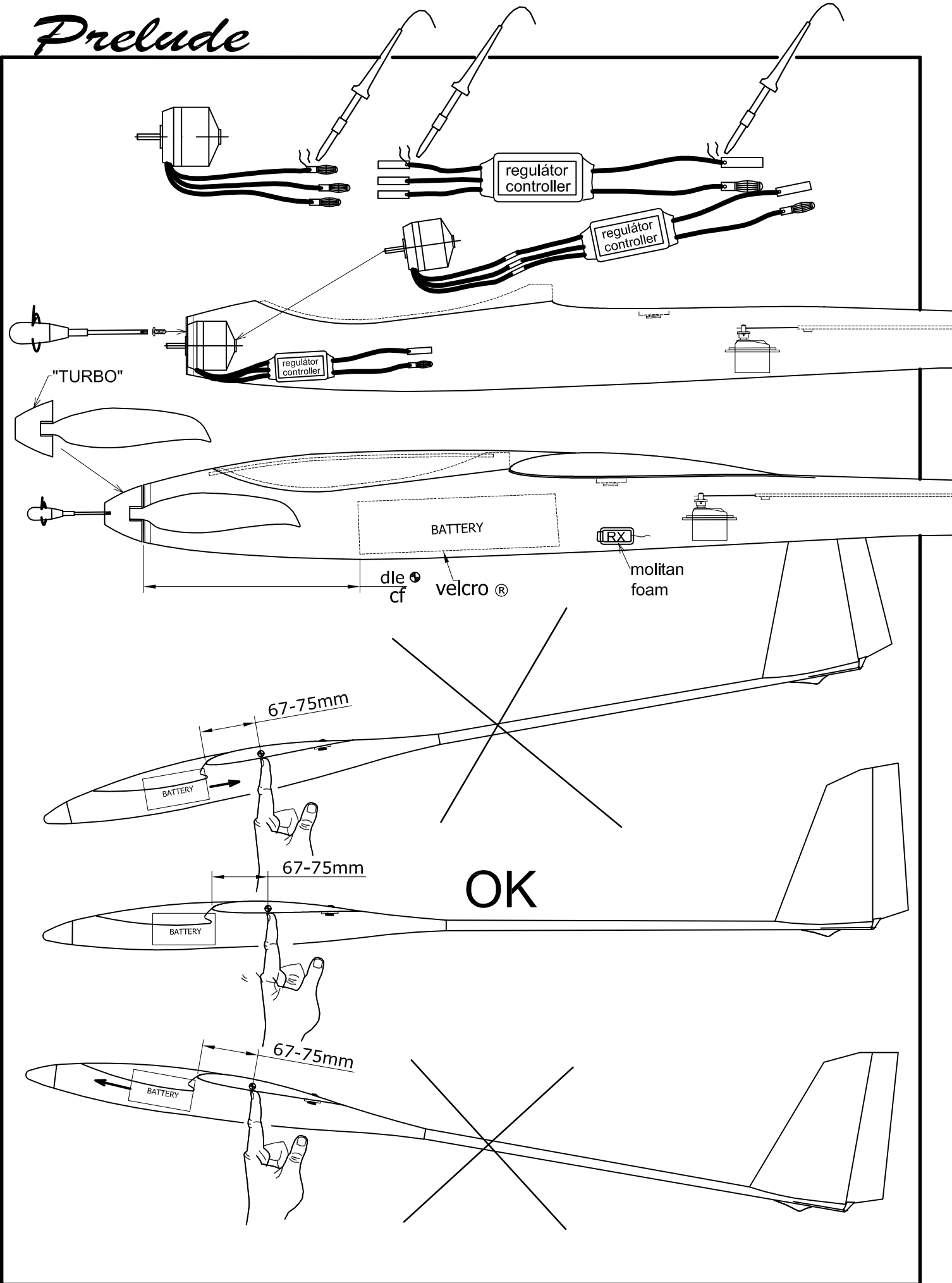
Prelude



Prelude



Prelude



Prelude

